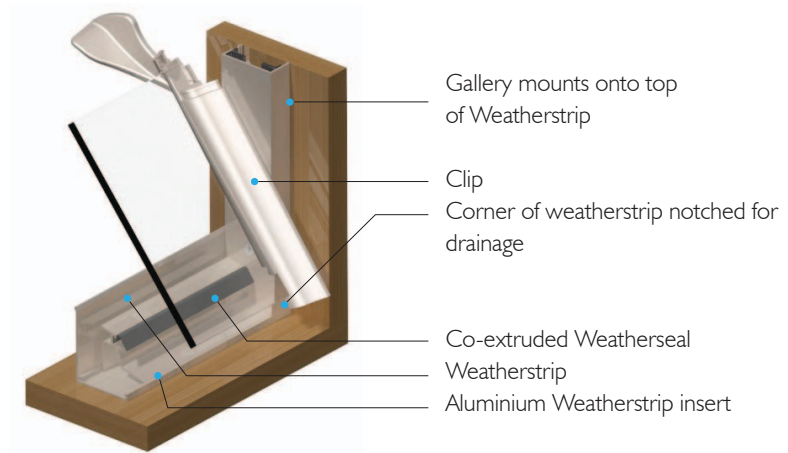
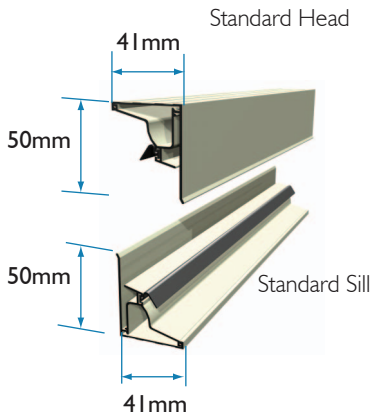
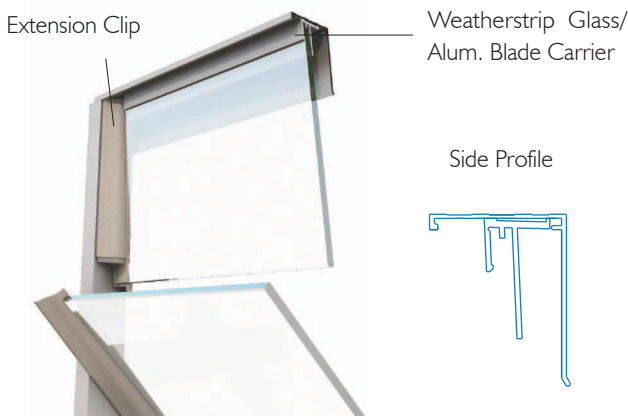


Standard Height Louvre Weatherstrip



- The same Weatherstrip is used on both the head and sill for standard glass and aluminium louvres.
- Weatherstrip, complete with seal, must be used to gain manufacturer's performance warranty.
- Altair Weatherstrip does not require notching to accommodate the louvre gallery.
- Weatherstrips to head and sill add 10mm to overall gallery height.
- Off Standard Height Galleries that are within 5mm of a Standard Height Gallery will not have a top fixed blade and will therefore require Standard Height Weatherstrip sets.

Off Standard Height Weatherstrip



Used in conjunction with Extended Louvre Channel and Standard Sill

Off Standard Height Head for Glass or Aluminium Blades

- Off Standard Height Galleries that are within 5mm of a Standard Height Gallery will not have a top fixed blade and will therefore require Standard Height Weatherstrip sets.
- Off Standard Height Galleries that are more than 5mm greater than or less than a Standard Height Gallery will have a top fixed blade and will therefore require Off Standard Height Weatherstrip sets.