



BREEZWAY LOUVRE WINDOWS IOS™ WINDOW SYSTEM

The ios™ Window System is built for strength and durability, manufactured exclusively from stainless steel, aluminium and UV-stabilised industrial strength plastics to ensure years of trouble-free operation. When open, Altair Louvre Windows capture cooling trade winds just as effectively as old style Jalousie Windows, and when closed, they seal tightly to provide superior wind and water performance. The ios™ Window System is an innovative design that provides inside or outside screening options to homeowners.

ios™ Window System Features:

- The ios™ Window is an integrated window system specifically designed for use with Altair Louvres, resulting in high wind and water penetration performance.
- Conforms to performance requirements of the AAMA/WDMA/CSA 101/I.S.2/A440-05 standard and the amended International Building Code.
- Corrosion resistant aluminium coatings - high quality polyester powder coating or 25 micron anodized finishes (7 microns higher than Class I (A4) of the American Architectural Manufacturers Association standard AAMA 611-98).
- Manufactured from maintenance-free aluminium - cleaning is the only maintenance required.
- Designed for strength and long life durability.
- No ongoing costs – no need for periodic resealing of wooden frames.
- Can be manufactured to have suitable external or internal insect or security screens fitted.
- A variety of size, colour and blade options are available.
- The versatile frame depth and removable nail on fins suit most construction types.
- Altair Louvre Windows snap into the ios™ Window System resulting in no visible screw holes and quicker assembly.
- The ios™ Window System is available fully assembled and ready for installation, thereby reducing on-site labour costs.
- Picture window combinations are available.
- Warranted for 7 years.

Altair ios™ Window System



ios™ Window System with inside slide screen handle



ios™ Window System without screen

Technical Specifications

ios™ Window System Heights

No. of Blades	Banks of blades controlled from head downwards	Height 152mm	Height 6"	Banks of blades controlled from head downwards	Height 102mm	Height 4"
2	2	346mm	13-5/8"	-	-	-
3	3	486mm	19-1/8"	3	336mm	13-7/32"
4	4	626mm	24-21/32"	4	426mm	16-25/32"
5	5	766mm	30-5/32"	5	516mm	20-5/16"
6	6	906mm	35-21/32"	6	606mm	23-27/32"
7	7	1046mm	41-3/16"	7	696mm	27-13/32"
8	8	1186mm	46-11/16"	8	786mm	30-15/16"
9	9	1326mm	52-7/32"	9	876mm	34-7/16"
10	7 3	1466mm	57-23/32"	6 4	966mm	38-1/32"
11	7 4	1606mm	63-7/32"	6 5	1056mm	41-9/16"
12	7 5	1746mm	68-3/4"	6 6	1146mm	45-1/8"
13	8 5	1886mm	74-1/4"	6 7	1236mm	48-21/32"
14	9 5	2026mm	79-3/4"	7 7	1326mm	52-7/32"
15	7 8	2166mm	85-9/32"	7 8	1416mm	55-3/4"
16	7 9	2306mm	90-25/32"	9 7	1506mm	59-9/32"
17	8 9	2446mm	96-5/16"	9 8	1596mm	62-27/32"
18	9 9	2586mm	101-13/16"	9 9	1686mm	66-3/8"
19	9 4 6	2726mm	107-5/16"	9 5 5	1776mm	69-29/32"
20	9 6 5	2866mm	112-27/32"	9 5 6	1866mm	73-15/32"
21	9 7 5	3006mm	118-11/32"	9 5 7	1956mm	77"
22	-	-	-	9 6 7	2046mm	80-9/16"
23	-	-	-	9 6 8	2136mm	84-3/32"
24	-	-	-	9 6 9	2226mm	87-5/8"
25	-	-	-	9 9 7	2316mm	91-3/16"
26	-	-	-	9 9 8	2406mm	94-23/32"
27	-	-	-	9 9 9	2496mm	98-9/32"
28	-	-	-	9 6 4 9	2586mm	101-13/16"
29	-	-	-	9 6 5 9	2676mm	105-11/32"
30	-	-	-	9 7 5 9	2766mm	108-29/32"
31	-	-	-	9 7 6 9	2856mm	112-7/16"
32	-	-	-	9 7 7 9	2946mm	115-31/32"
33	-	-	-	9 7 8 9	3036mm	119-9/32"

ios™ Louvre Window Sizes

- Maximum bay width and height is dependant on site wind ratings, blade size and blade material.
 - Maximum ios™ width is 4000mm / 157-1/2"
 - Maximum ios™ height is 3036mm / 119-9/32"

For more information, please refer to the Product Performance Warranty in our Design Manual on the technical web page of the Breezway web site www.breezway.com

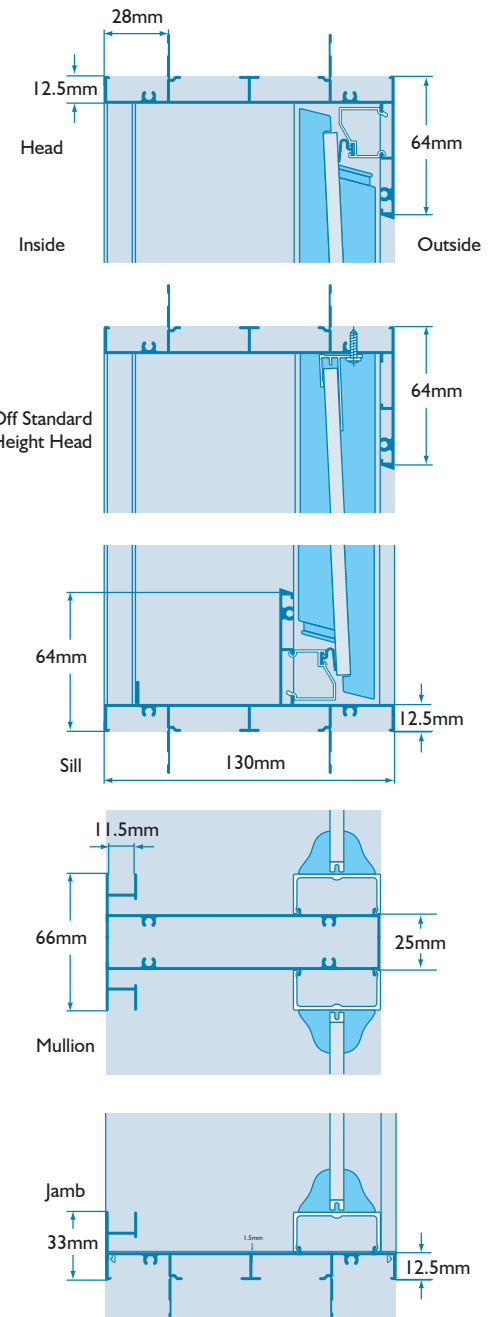
Recommended Specification

The louvre windows shall be Altair® Louvre Windows by Breezway® within the ios™ Window System by Breezway.

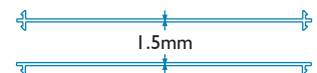
The windows shall conform to the AAMA/WDMA/CSA 101/I.S.2/A440-05 harmonized standard for North America and the amended International Building Code.



ios™ Window System Dimensions



ios™ Coupler and Cover Plate



Couple ios Window Systems together or trim assembly that extends beyond the building frame. (1.5mm extra height or width)



Our highly skilled, friendly ios™ licensed fabricator are located in the Philippines and are always committed to helping you, so please contact us today on **(+632) 2541 983** or email **sgas903@yahoo.com.ph** with any queries you may have about our product range.

Copyright and trademarks (Breezway®, Altair®, Palmair™, Powerlouvre™) are owned by the Breezway Group of Companies December 2013.