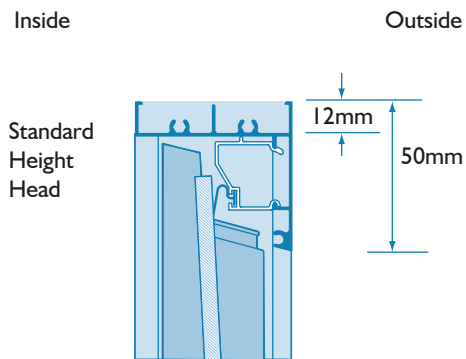


Slimline™ Window System Dimensions



Example shows the Glass / Aluminium Fixed Blade Carrier.  
A Timber Fixed Blade Carrier is also available.

